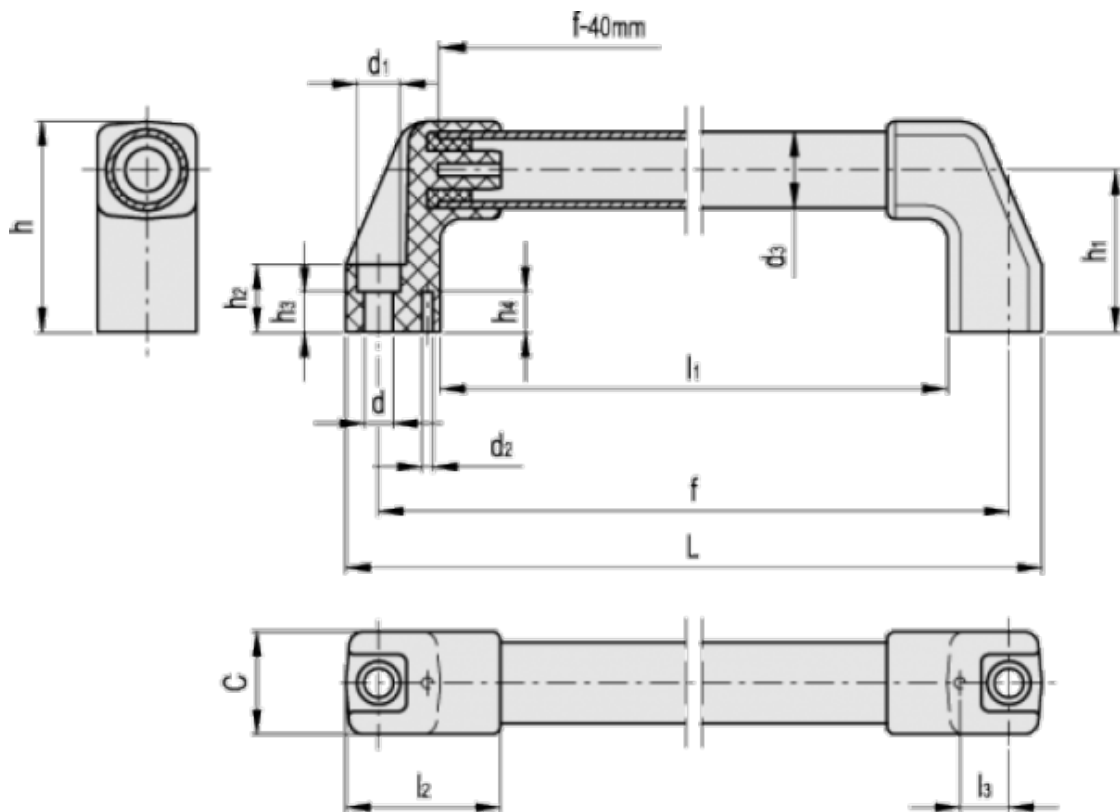


# Data Sheet



Article number: 2304037652  
 Description: E+G Tubular handle  
 M.1043/20-400-SST

## Measures



c	= 28	h1 = 45	R = load at breakage in N = 3500
d	= 8.5	h2 = 18	
d1	= 13.5	h3 = 9.5	
d2	= 4	h4 = 15	
d3	= 20	L = 420	
E = Max . working load in N = 2000		l1 = 362	
f	= 400	l2 = 47	
h	= 58	l3 = 13	